

# KITA POWER MODULE SPEC SHEET



Kita 2 power, 1 USB-A+C, 1 HDMI  
Silver anodized aluminum with storm  
finish, black cord



Kita 2 power, 1 dual USB-A, 1 HDMI  
Silver anodized aluminum with white  
finish, black cord



Kita 2 power, 1 dual USB-A, 1 open data  
Silver anodized aluminum with black  
finish, black cord



Kita 2 power, 2 open data  
Silver anodized aluminum with storm  
finish, black cord



Kita 2 power, 1 USB-A+C, 1 dual  
USB-C 45w, 2 open data  
Silver anodized aluminum with white  
finish, black cord



Kita 3 power, 1 dual USB-A, 2 open data  
Silver anodized aluminum with black  
finish, black cord

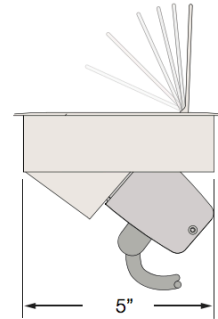
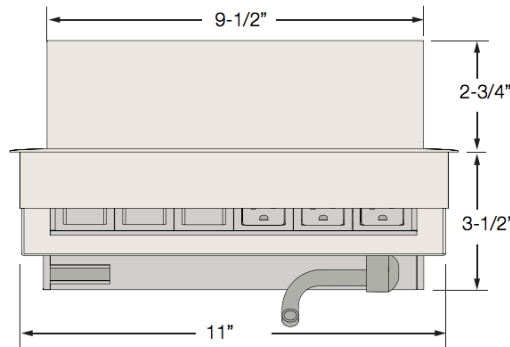
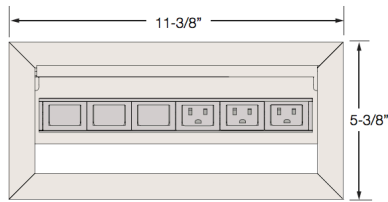


Kita 3 power, 3 open data  
Silver anodized aluminum with storm  
finish, black cord

## Specifications

UL Listed

Number of ports: 2-8 ports available



\* Images depict a 6 port unit with 3 power and 3 open data

## Cut Out Dimension

Unit Size	Length	Width
2 Windows	5"	5"
3 Windows	6-1/2"	5"
4 Windows	8"	5"
5 Windows	9-1/2"	5"
6 Windows	11"	5"
7 Windows	12-1/2"	5"
8 Windows	14"	5"

minimum surface depth 3/8" - maximum surface depth 1-3/4"

## Finish Options

- ST** Silver anodized aluminum case finish, storm trim and simplex finish, black cord
- SW** Silver anodized aluminum case finish, white trim and simplex finish, black cord
- SB** Silver anodized aluminum case finish, black trim and simplex finish, black cord

## Cord Options

72 inches or 120 inches

## Standard Features

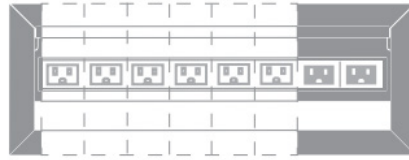
- Smart design keeps cable clutter out of sight by allowing use while the lid is shut
- Concealable power, USB, and data options
- Requires a cut out in the worksurface
- Hardwired versions available

SYMPHONY®

www.symphonytables.com

## Customize By Size

2 to 8 windows on each side as shown below. Each window can be replaced by a variety of power or technology options.



## Integrated Technologies

The power simplexes must be grouped together and installed at the right end of this product. Technologies requiring power must immediately follow.



### **NON-POWERED**

Cat6, Cat6A, HDMI, DisplayPort, DVI,  
Mini DisplayPort, Stereo Jack, Belay,  
Passive USB, and Passive USB-C

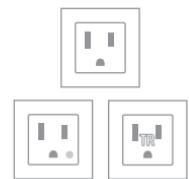
NOTE: Factory install only for DisplayPort and  
Mini DisplayPort



### **POWERED**

USB A+C, Dual USB, USB-4C,  
Dual C+A, Dual USB-C 45W,  
USB-C 60W, Bluetooth Speaker

NOTE: Powered technologies do not transfer  
data



### **POWER SIMPLEX**

Tamper Resistant &  
Hospital Grade  
Available