

# CIRCO IN-SURFACE POWER MODULE SPEC SHEET



Circo 2 power  
Matte Fog powder coat finish  
Black cord



Circo 2 power  
Matte Storm powder coat finish  
Black cord



Circo 1 power, 1 dual charging USB-A  
Matte White powder coat finish  
White simplex and cord  
\*Black screw in mounting plate will be under the worksurface



Circo 1 power, 1 USB-A+C  
Matte Black powder coat finish  
Black simplex and cord



Circo 2 power, 1 convenience outlet below the surface  
Matte Black powder coat finish  
Black simplex and cord



Circo 1 power, 1 dual charging USB-A, 1 convenience outlet below the surface  
Matte Black powder coat finish  
Black simplex and cord



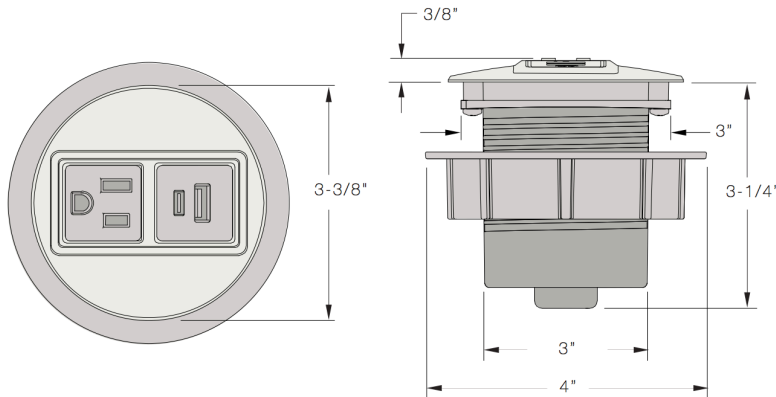
Circo 1 power, 1 USB-A+C, 1 convenience outlet below the surface  
Matte Black powder coat finish  
Black simplex and cord

## Specifications

UL Listed

Number of ports: 2 ports available with optional convenience outlet

\* Images depicts a 1 power and 1 USB A+C unit.

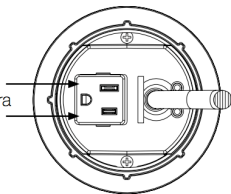


## Hole Mount

Drill 3" Diameter Hole

For secure mounting, the maximum size for surface material can not exceed 1- 1/2".

Optional Convenience Outlet offers a single extra discrete power outlet at the base of Node\*\*



\*\*Convenience Outlet only available with corded infeeds. Not available with non-powered data options.

## Finish Options

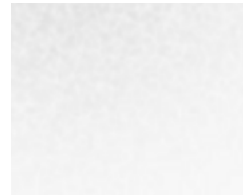
- MF** Matte Fog powder coat finish, fog simplex finish, black cord
- MS** Matte Storm powder coat finish, storm simplex finish, black cord
- MW** Matte White powder coat finish, white simplex finish, white cord
- MB** Matte Black powder coat finish, black simplex finish, black cord



Matte Fog



Matte Storm



Matte White



Matte Black

## Cord Options

72 inches or 120 inches

SYMPHONY®

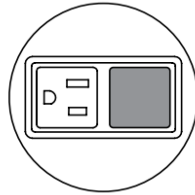
www.symphonytables.com

## Standard Features

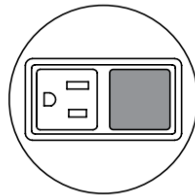
- Flush mount design with
- 2 ports available at the worksurface with power, USB, and data options, optional convenience outlet available.
- Corded (hardwired units are available - contact [service@symphonytables.com](mailto:service@symphonytables.com))
- Plastic and powder coat finish
- Easy to install and fits securely in any worksurface with just a 3" grommet hole.

## Configurations

One power unit shown with power and technologies available in the blank spaces shown below (top view)



Optional Convenience Outlet shown (bottom view)



\*\*Convenience Outlet only available with corded infeeds. Not available with non-powered data options.

## Integrated Technologies

The power simplexes must be installed in the middle of this product with technology on either end.



### NON-POWERED

Cat6, Cat6A, HDMI, VGA, Mini DisplayPort, Stereo Jack, Passive USB-A, and Passive USB-C

NOTE: Factory install only for Mini DisplayPort and Mini DisplayPort

### POWERED

Quad C, Dual C+A, USB A+C, Dual USB

NOTE: Powered Technologies do not transfer data

### POWER SIMPLEX

Tamper Resistant & Hospital Grade Available