

# ARIBA 4 PORT IN-SURFACE POWER MODULE SPEC SHEET



2 power, 2 dual USB-A  
Gloss Storm finish



2 power, 1 dual USB-A, 1 open data  
Gloss White finish



3 power, 1 USB-A+C  
Gloss Black finish



2 power, 1 USB-A+C, 1 open data  
Gloss Storm finish



3 power, 1 dual USB-A  
Gloss White finish



3 power, 1 open data  
Gloss Black finish



2 power, 1 dual USB-A, 1 USB-A+C  
Gloss Storm finish



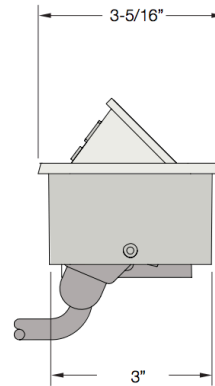
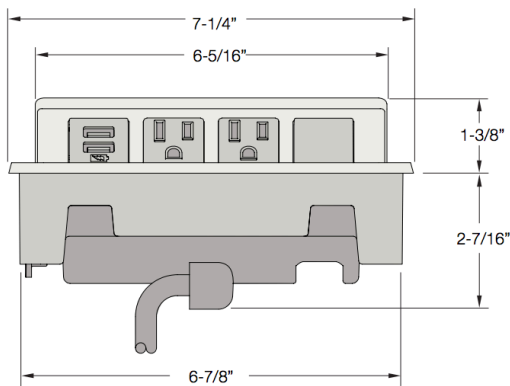
2 power, 1 HDMI, 1 USB-A+C  
Gloss White finish

## Specifications

UL Listed

Number of ports: 4 ports available

\* Images depict a 2 power, 1 USB unit and an open data window.



### Hole Mount

Cut out size is 3" by 6-15/16" with 3/8" radius corners.

Min Surface Depth 1/2"

## Finish Options

**GS** Gloss Storm with black cord

**GW** Gloss White with white cord

**GB** Gloss Black with black cord

## Cord Options

72 inches or 120 inches

## Standard Features

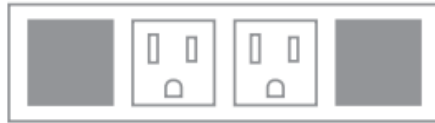
- Pop-up design offers a range of power, data and USB configurations - including fast charging USB (2 Amp per port) that allows users to charge tablets or other USB-friendly electronics
- Gloss Molded Plastic Finish
- Corded (hardwired units are available - contact [service@symphonytables.com](mailto:service@symphonytables.com))
- Minimum of surface material 1/2"
- Requires cutout in work surface: 3" x 6-15/16" with 3/8" radius corners

SYMPHONY®

[www.symphonytables.com](http://www.symphonytables.com)

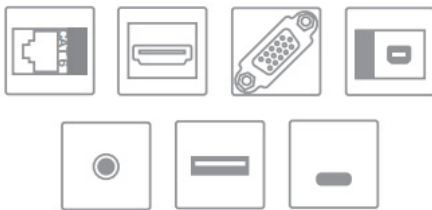
## Configuration

4 window unit with power and technologies available in the blank spaces shown below.



## Integrated Technologies

The power simplexes must be installed in the middle of this product with technology on either end.



### **NON-POWERED**

Cat6, Cat6A, HDMI, VGA,  
Mini DisplayPort, Stereo Jack,  
Passive USB-A,  
and Passive USB-C

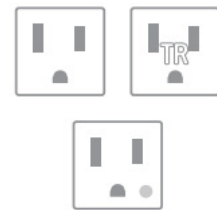
NOTE: Factory install only for Mini Display-  
Port



### **POWERED**

USB-4C, Dual C+A,  
USB A+C, Dual USB

NOTE:  
Powered Technologies  
do not transfer data



### **POWER SIMPLEX**

Tamper  
Resistant &  
Hospital Grade  
Available