

ARIBA 2 PORT IN-SURFACE POWER MODULE SPEC SHEET



1 power, 1 USB-A+C, Gloss Storm finish



1 power, 1 dual USB-A, Gloss White finish

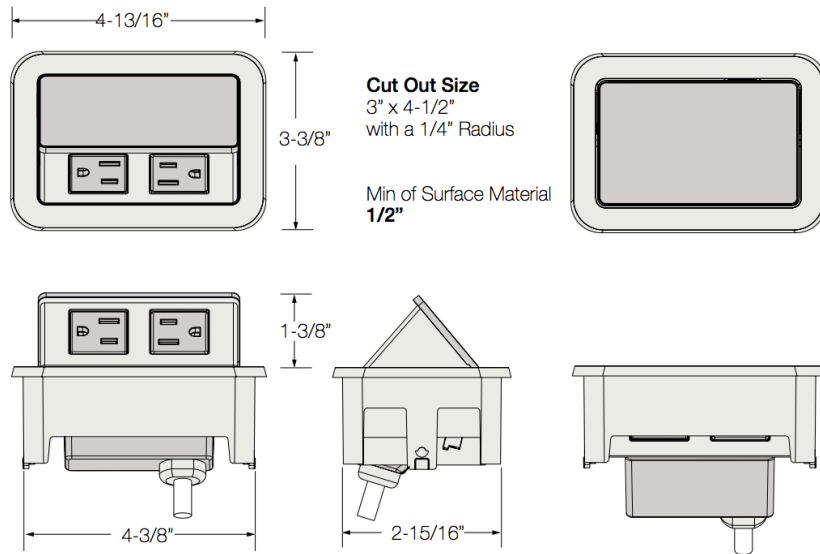


2 power, Gloss Black finish

Specifications

UL Listed

Number of ports: 2 ports available



Finish Options

GS Gloss Storm with black cord

GW Gloss White with white cord

GB Gloss Black with black cord

Cord Options

72 inches or 120 inches

Standard Features

- Gloss Molded Plastic Finish
- Technology Specifications: 2 ports - 2 power, 1 power 1 dual USB-A, or 1 power 1 USB-A+C
- Requires cutout in work surface - 3" x 4.5" with 1/4" radius corners for the 2 port unit
- Corded only
- Minimum of surface material 1/2"
- Ideal for charging lap tops, mobile phones, tablets, and other desktop devices

SYMPHONY®

www.symphonytables.com

Configuration

2 window unit with power and technologies available in the blank space shown below.



Integrated Technologies

The technology must be installed on the left side for this product.



POWERED

Dual USB, Embrava®,
USB-4C, Dual C+A, USB
A+C,
NOTE: Powered Techno-
logies do not transfer
data

POWER SIMPLEX

Tamper
Resistant &
Hospital Grade
Available